



# SERVICE PARTS LIST

**BULLETIN NO.**  
**54-05-0552**

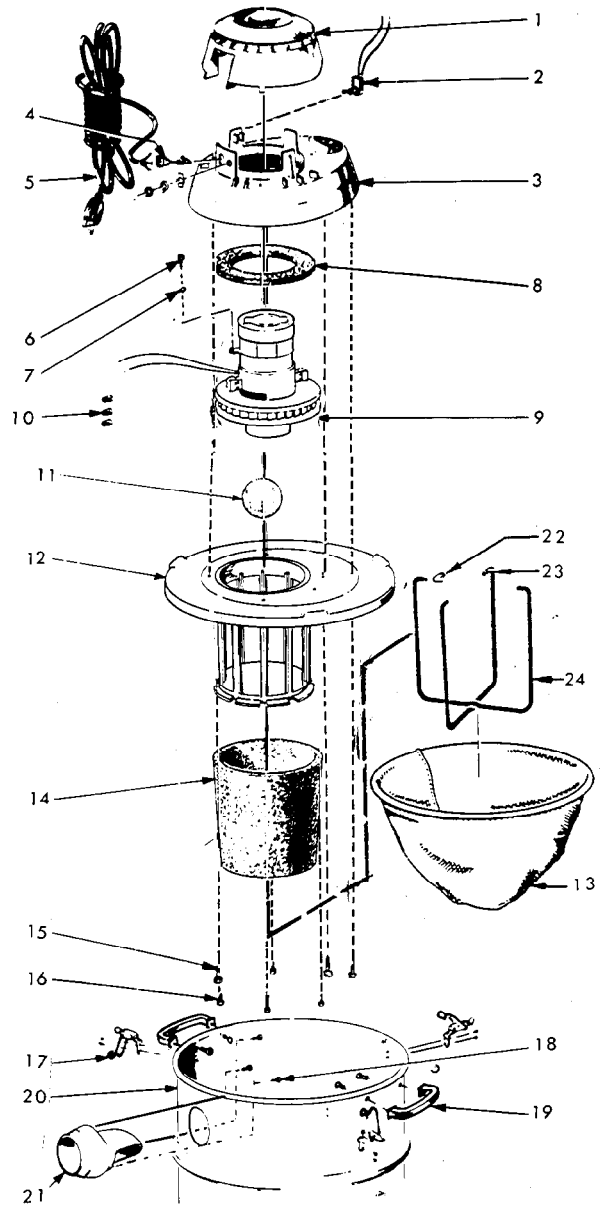
SPECIFY CATALOG NO. AND SERIAL NO. WHEN ORDERING PARTS		REVISED BULLETIN	DATE
<b>12 GALLON WET OR DRY VACUUM CLEANER</b>		54-05-0551	Oct. '90
CATALOG NO. 8955	SERIAL NUMBER	WIRING INSTRUCTION	
	<b>SERIES 4</b>		

00 0

**EXAMPLE:**  
Component Parts ( Small #) Are Included  
When Ordering The Assembly (Large #).

FIG.	PART NO.	DESCRIPTION OF PART	NO. REQ.
1	31-15-0135	Housing Cap	(1)
2	23-66-0880	Switch	(1)
3	31-50-0490	Motor Housing	(1)
4	22-90-0145	Strain Relief Bushing	(1)
5	22-64-0136	Power Cord	(1)
6	06-95-5319	10 x 3/8 Ground Screw	(1)
7	06-97-3400	10 Split Lockwasher	(1)
8	43-44-0540	Motor Top Gasket	(1)
9	23-30-0180	Motor	(1)
10	22-56-0160	Wire Connector	(3)
11	42-46-0100	Ball Float	(1)
12	31-15-0145	Plastic Cover Lid	(1)
13	49-90-0285	Cloth Filter	(1)
14	49-90-0770	Foam Sleeve	(1)
15	06-95-5395	10 x 3-1/2" Lg. Screw	(3)
16	06-95-5340	10 x 1" Lg. Screw	(4)
17	42-68-0410	Buckle	(3)
18	06-95-5320	10 x 1/2 Lg. Slit. H. H. Screw	(3)
19	31-44-0395	Handle Pkg. (2 Handle and Screws)	(1)
20	45-66-0085	Tank	(1)
21	42-86-0120	Inlet Fitting	(1)
22	44-86-0490	Wire Cage Retainer	(4)
23	42-46-0140	Wire Cage Outside Half	(1)
24	42-46-0150	Wire Cage Inside Half	(1)

**SEE REVERSE SIDE OF THIS BULLETIN FOR  
VACUUM CLEANER DOLLY**



## VACUUM CLEANER DOLLY

FIG.	PART NO.	DESCRIPTION OF PART	NO. REQ.
1	43-62-0731	Handle	(1)
2	06-97-4050	1/4" Split Ring Lockwasher	(6)
3	06-55-1525	1/4-20 Hex Nut	(6)
4	43-98-0300	Threaded Knob	(1)
5	42-36-1585	Tank Retainer	(1)
6	45-94-0210	10" Wheel	(2)
7	42-52-0270	Hub Cap	(2)
8	43-40-0191	Rear Frame	(1)
9	43-40-0196	Main Frame	(1)
10	06-55-1985	5/16 - 18 Hex Nut	(1)
11	06-97-4100	5/16" Split Ring Lock Washer	(1)
12	-----	5/16 - 18 x 2-1/2" Hex Hd. Bolt	(1)
13	42-12-0101	Axle	(2)
14	45-88-7500	1/4" Flat Washer	(2)
15	44-66-5351	Caster Socket	(1)
16	45-94-0221	Caster	(1)
17	06-75-0100	1/4 - 20 x 3/4" Hex Hd. Machine Screw	(6)
18	42-38-0171	Bumper	(1)

